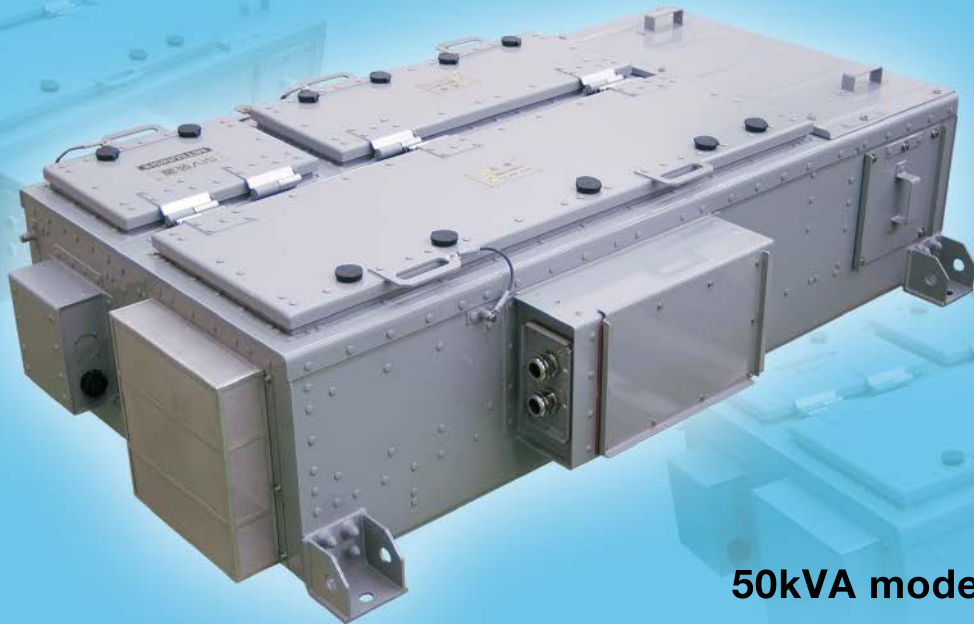




# Auxiliary Power Supply System



50kVA model

## Ensuring High Levels of Safety and Reliability

### Compact and Lightweight

**Size/Weight reduced 34% compared to conventional auxiliary power supply (APS) system**

- Dimensions: 1,900×900×500mm(L×W×D)
- Weight: Approx. 640kg
- More compact high-frequency transformer
- Function module adopted

### High Efficiency

**Advanced power device achieving up to 95%\* efficiency**

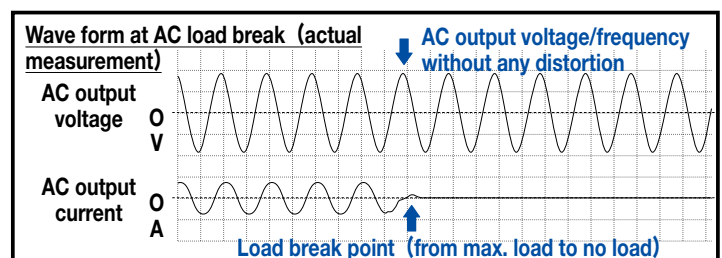
- High-efficiency system contributing to energy savings and low operating costs

\* Maximum efficiency using AC output only; may vary depending on system configuration and service conditions.

### Excellent Output Voltage Control

**Ensures stable output voltage in response to load changes**

- High-speed instantaneous voltage waveform control realizing stable operation even after sudden load changes or short circuits



# Specifications for APS (including low-voltage power supply)

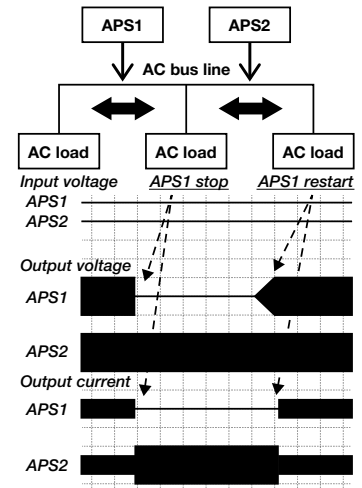
## 50kVA model

<b>Normal input voltage:</b>	750VDC	<b>Three-phase AC output:</b> Output voltage: 208 to 400VAC $\pm 5\%$ (selectable) Output power: 50kVA (rated)
<b>Dimensions (mm):</b> LxWxD	1,900x900x500 (when roof-mounted)	
<b>Weight:</b>	Approx. 640kg	
<b>Cooling system:</b>	Forced air cooling	
<b>Mounting:</b>	Roof-mounted or Under floor	<b>Degree of protection for electrical equipment:</b> IP65
<b>Applicable standards:</b>	IEC60077-1 IEC61287-1 EN50121-3-2	<b>Options:</b> (not included in standard specifications) - Single-phase AC output - Power supply to start flat battery - AC output parallel synchronous function - Shore power supply function

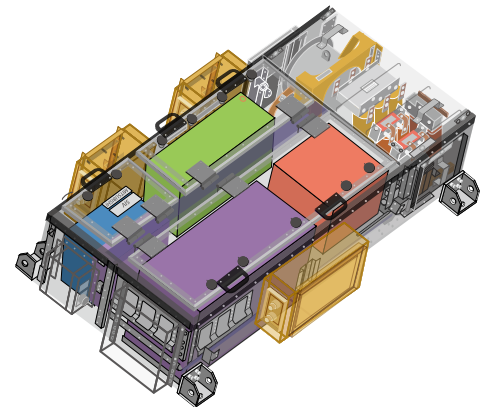
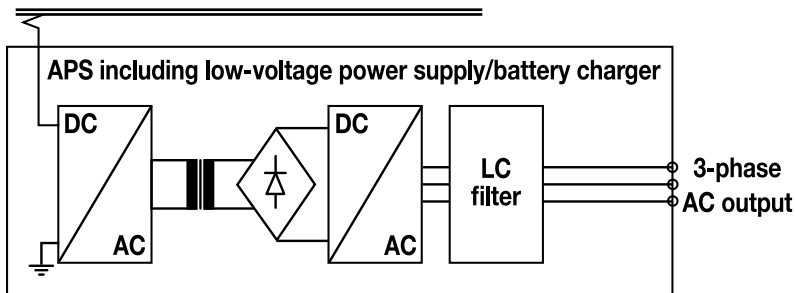
## High-redundancy Design (Option)

Prevents interruption of power supply to load and enables simple back-up operation

- Compatible with AC output parallel synchronous operation  
→ No interruption of power supply to loads even if one APS unit stops due to a loss of contact between the pantograph and contact wire



### Block diagram



**MITSUBISHI ELECTRIC CORPORATION**

[www.MitsubishiElectric.com](http://www.MitsubishiElectric.com)